

The AOM **FP6** 6 Degree of Freedom Fine Positioning Mount is used to efficiently mount and adjust AOM CGHs that have been precision bonded into an AOM **C6** CGH cell. C6 cells are available for standard CGH sizes and include hardened steel balls that quickly and accurately lock into magnetic seats in the FP6, providing a stable mounting interface. The steel balls are aligned to the CGH pattern to micron-level accuracy enabling highly repeatable positioning each time a CGH is installed in the FP6.

Standard features include:

- ✓ *Stable, repeatable magnetic connection using flexures to avoid over-constraint*
- ✓ *6 adjusters used in combinations to align all 6 degrees of freedom: x , y , z , θ_x , θ_y , θ_z*
- ✓ *Each adjustment has sub-micron resolution and ± 3 mm range*

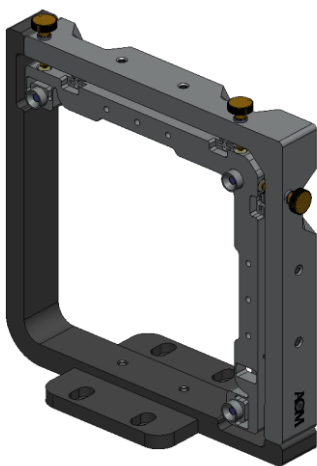
The FP6 can be configured to match standard interferometer optical axis heights:

- ▶ **FP6-H425**, for 4.25" height of optical axis above the mounting plane
- ▶ **FP6-H600**, for 6" height of optical axis above the mounting plane

The **FP6** is compatible with the following CGH sizes: **3"x3"**, **3"x6"**, and **6"x6"**.

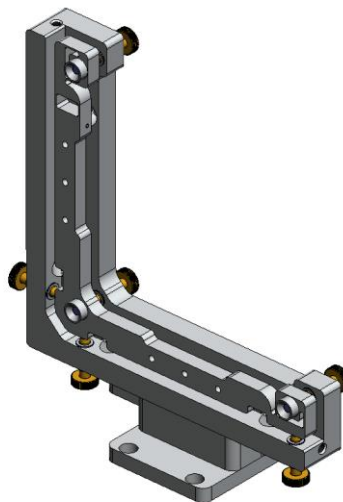
FP6-H425

FP6 with 4.25" centerline height



FP6-H600

FP6 with 6" centerline height



FP6-H600 with S6-C6

FP6 with 6" centerline height and precision cell for 6"x6" CGH

